

Piezosignalgeber (ohne Ansteuerung) RMP-34W Art.-Nr.: 180115

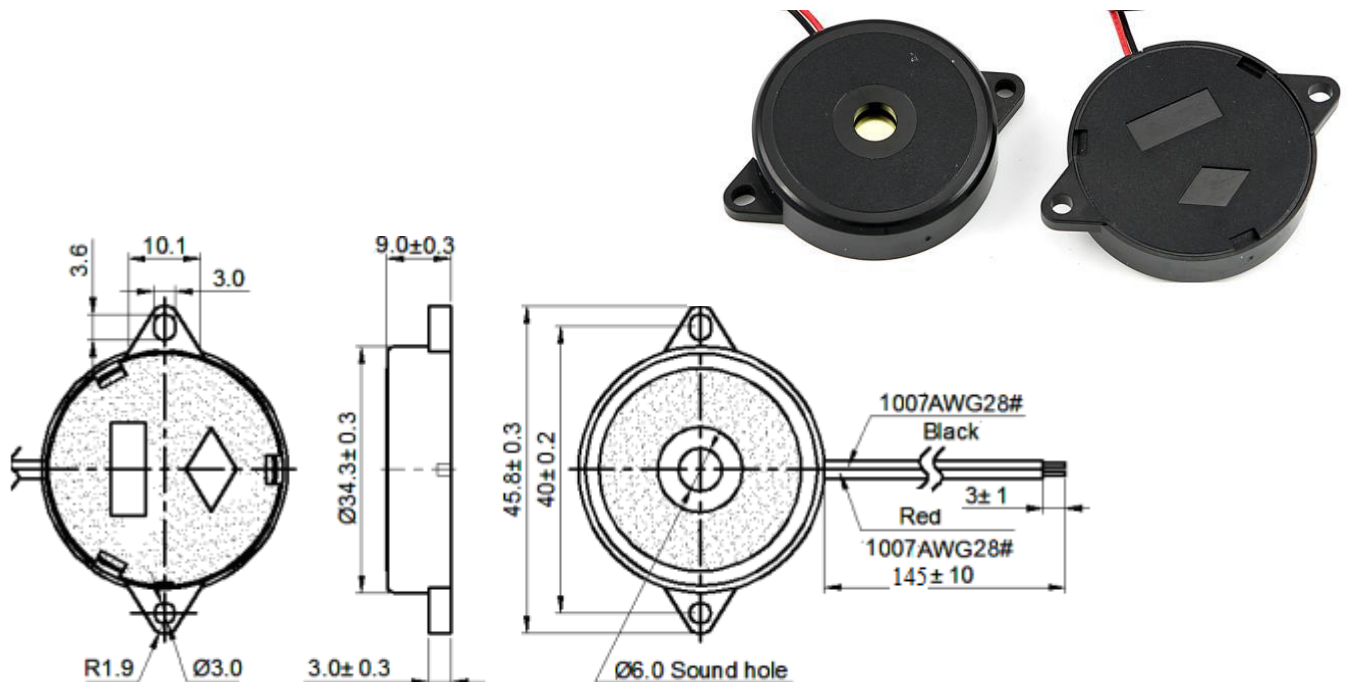
Specification :

TYPE	UNIT	RMP-34W
• Min. Sound Output at 10cm	dB	85
Rated Voltage	V _{p-p}	10
Operating Voltage	V _{p-p}	1~30
Resonant Frequency	Hz	1.100±500
• Max. Current Consumption	mA	3
Capacitance at 1kHz	pF	45.000±30%
Operating Temperature	°C	-20~+60
Storage Temperature	°C	-30~+70

• Value applying at rated voltage

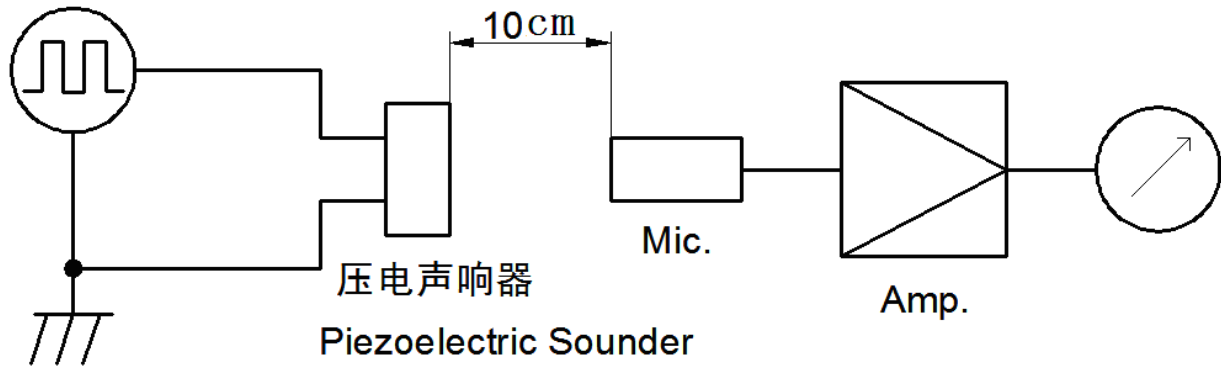
Dimensions :

(Unit : mm) Tolerance ±0.5mm Except Specified



Piezosignalgeber (ohne Ansteuerung) RMP-34W Art.-Nr.: 180115

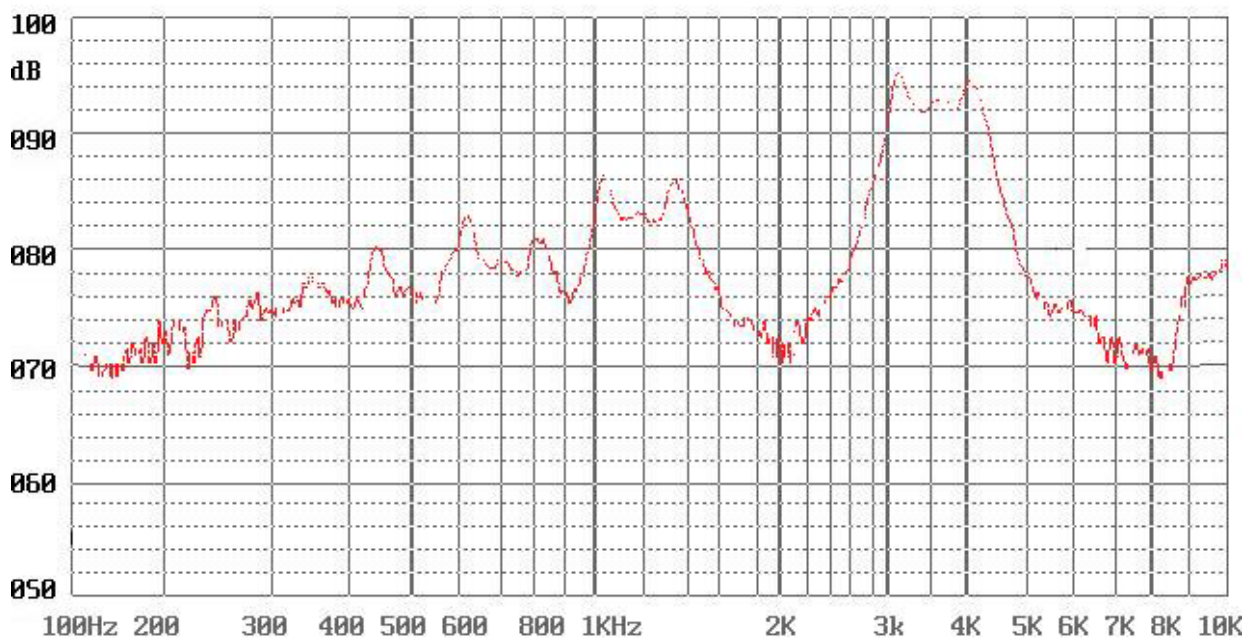
Test Method :



MIC: ND10 普通声级计或等同品
MIC: ND10 Sound Meter or equivalent

信号发生器: DF1641D或等同品
Signal Generator: DF1641D or equivalent

Frequency Response :



Version 1 / 10/2021

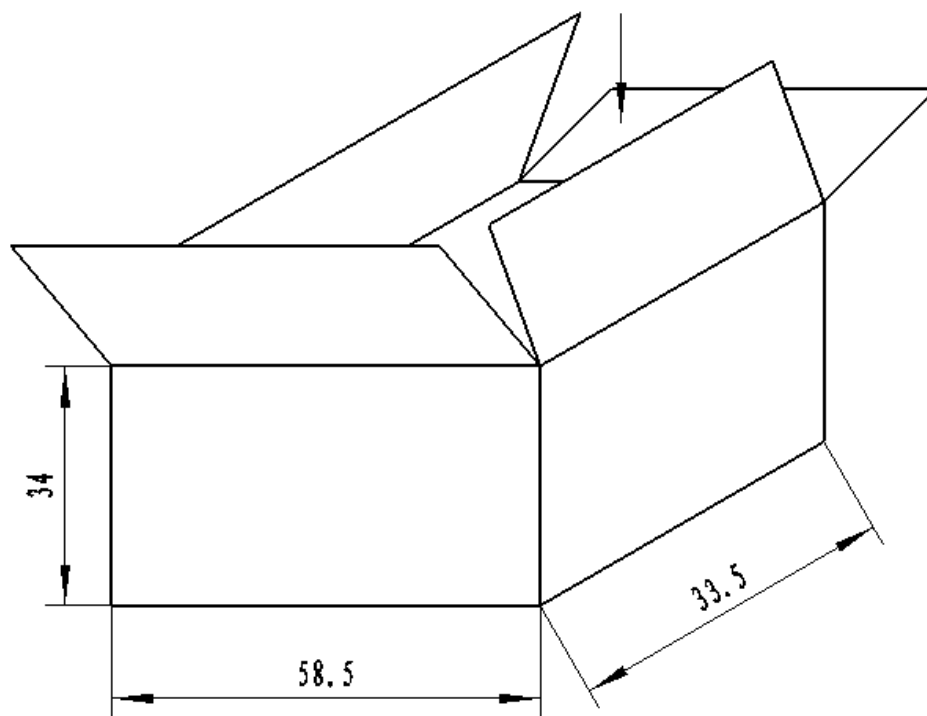
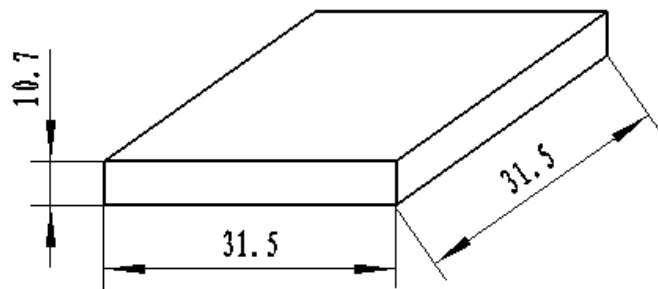
Piezosignalgeber (ohne Ansteuerung) RMP-34W Art.-Nr.: 180115

Reliability Test :

NO.	ITEM	TESTING CONDITION	VARIANCE AFTER TEST
1	Humidity	40±2°C, 93(+2/-3)%RH, 96HRS	All specifications must be satisfied after the test.
2	High temp.	+70±2°C, 96HRS	
3	Low temp.	-30±2°C, 96HRS	
4	Temperature cyc lin g	-30±2°C, 30minutes room temp. 15 minutes +70±2°C, 30 minutes room temp. 15 minutes 5 cycles	
5	Drop test	3 times from height of 70cm onto the sureface of 10mm thick wooden board.	
6	Vibration test	Make the test for the directions of X Y and Z (total 0.5 hours). To-and-fai. sweep time (from 10 to 55 Hz and then 55 to 10) under single amplitude of 1.0mm is 1 minute.	

Piezosignalgeber (ohne Ansteuerung) RMP-34W Art.-Nr.: 180115

PACKING:



NOTES:

- 1.300 PCS per box
- 2.Total 5 boxes per carton
- 3.Total 1500 PCS per carton
4. Volume : $58.5 \times 33.5 \times 34$ cm